



INSTRUMENTS

Open Channel Flow Meter Calibrations, Process Automation, Data Logging,
Industrial Instrument & Electrical Goods Supplier

KJs Hydrostatic submersible level transmitter



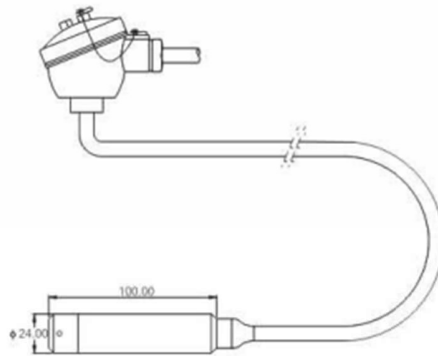
Features	<ul style="list-style-type: none"> Moisture-proof, anti-sweat, free of leakage troubles, IP68 Excellent resistance against impact, overload, shock and erosion Efficient lightning protection, strong anti RFI&EMI protection Advanced digital temperature compensation and wide working temperature scope High sensibility, high accuracy, high frequency response and longterm stability 			
	Applicable Scope	<ul style="list-style-type: none"> Liquid-level testing and control in industrial process Testing and control in Hydraulic and hydropower engineering Building Automation System and constant pressure water supply system Urban water supply and wastewater treatment Liquid-level testing and control in other automation systems 		
		Project	Parameter	
		Standard Range	Pressure Type: gauge pressure and sealed pressure	
			Pressure Range (mH2O) : 0.5 1 2.5 5 10 20 50 100 200 300 400 500 600	
Technical Index	Signal Output	4-20mA	0-5VDC	0-10VDC
	Signal Line Specification	2wire	3wire	3wire
	Supply Voltage	9-30VDC	9-30VDC	15-30VDC
	Accuracy	± 0.3%FS	± 0.5%FS	± 1%FS
	Zero Drift	± 0.02%FS/°C		
	Thermal Sensitivity Shift	± 0.02%FS/°C		
	Longterm Stability (1 Year)	± 0.1%FS		
	Frequency Response (-3dB)	3.2kHz		
	Compensated Temperature	-20~+85°C		
	Medium Temperature	-10~+85°C		
	Storage Temperature	-40~+125°C		
	Overload Pressure	200% FS		
Medium Compatibility	Various media compatible with the 316L stainless steel			
Environmental Protection	IP68			



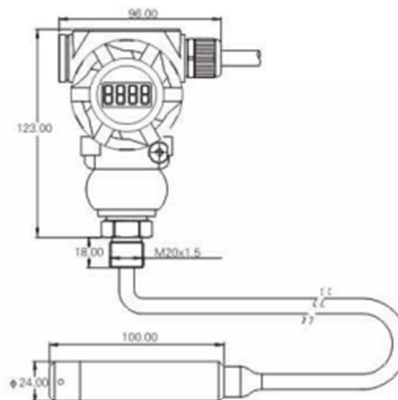
INSTRUMENTS

Open Channel Flow Meter Calibrations, Process Automation, Data Logging,
Industrial Instrument & Electrical Goods Supplier

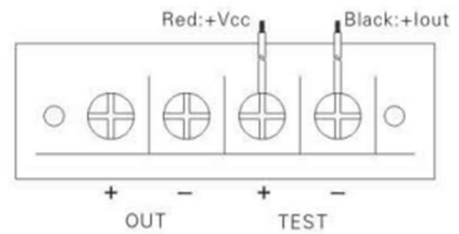
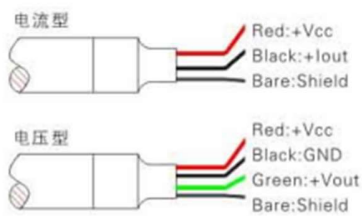
Dimension



Pressure Connection



Electrical Connection





INSTRUMENTS

Open Channel Flow Meter Calibrations, Process Automation, Data Logging,
Industrial Instrument & Electrical Goods Supplier

